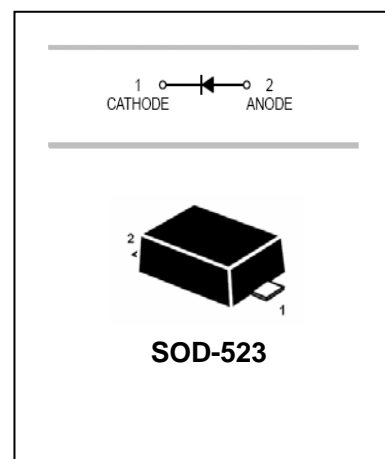


FEATURES

- Extremely small surface mounting type.
- Small package.
- High speed and high reliability.



APPLICATIONS

- High speed switching.

ORDERING INFORMATION

Type No.	Marking	Package Code
1SS400	A	SOD-523

MAXIMUM RATING @ Ta=25°C unless otherwise specified

Parameter	Symbol	Limits	Unit
Peak reverse voltage	V_{RM}	90	V
DC Reverse voltage	V_R	80	V
Forward output current	I_o	100	mA
Surge current(1s)	I_{surge}	0.5	A
Total power dissipation	P_{tot}	150	mW
Junction temperature	T_j	125	°C
Storage temperature	T_{stg}	-55 to +125	°C

ELECTRICAL CHARACTERISTICS @ Ta=25°C unless otherwise specified

Parameter	Symbol	Min.	Typ.	Max.	Unit	Conditions
Forward voltage	V_F			1.2	V	$I_F=100mA$
Reverse current	I_R			0.1	μA	$V_R=80V$
Diode capacitance	C_d		0.72	3.0	pF	$V_R=0.5V, f=1MHz$
Reverse recovery time	t_{rr}			4	ns	$V_R=6V, I_F=10mA, R_L=100\Omega$

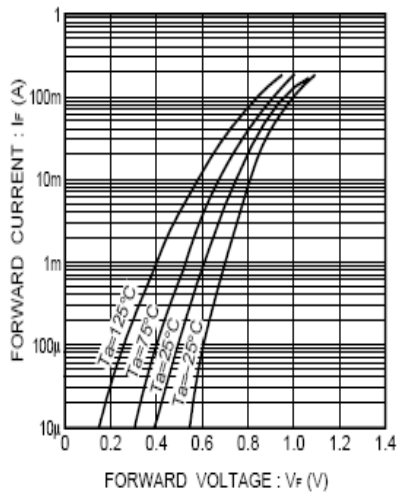


Fig.1 Forward characteristics

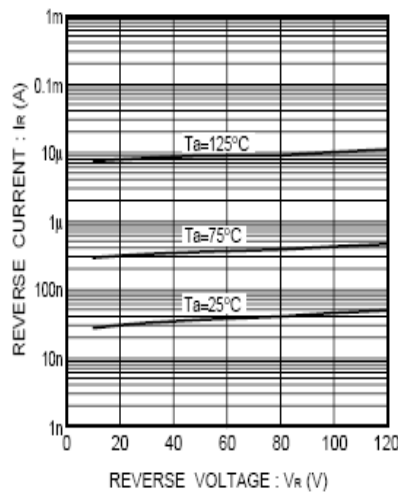


Fig.2 Reverse characteristics

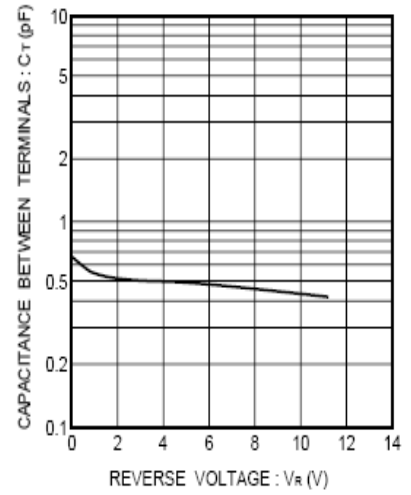


Fig.3 Capacitance between terminals

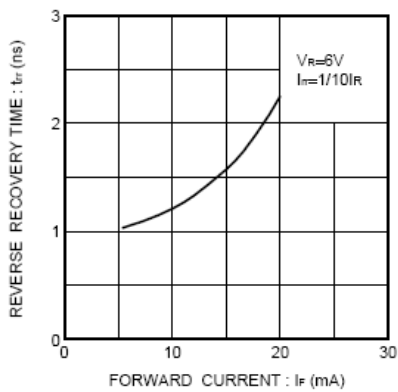


Fig.4 Reverse recovery time characteristics

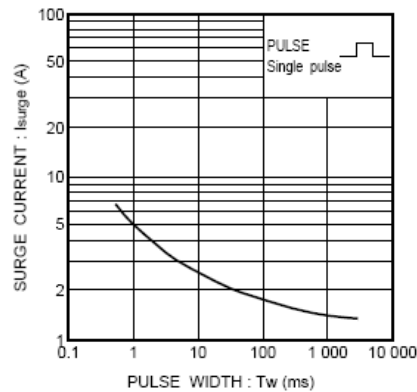
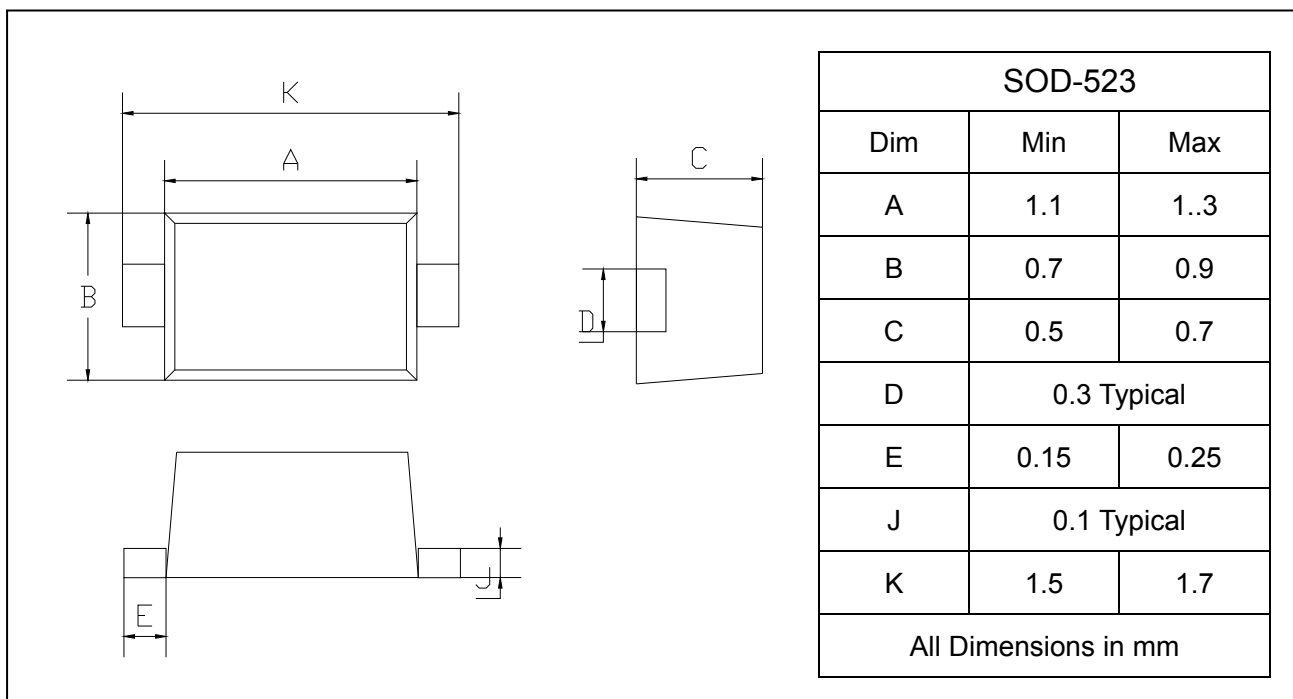
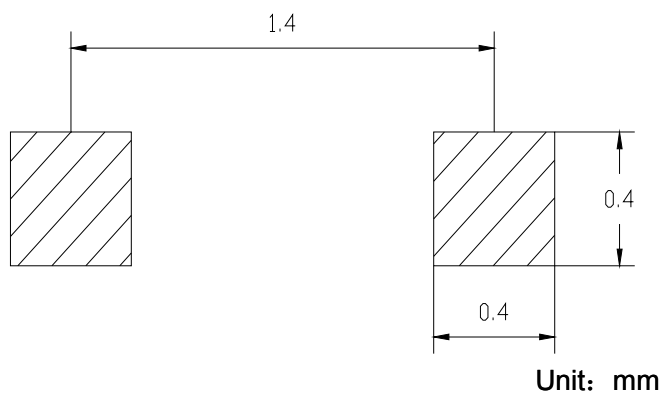


Fig.5 Surge current characteristics



SOLDERING FOOTPRINT



PACKAGE INFORMATION

Device	Package	Shipping
1SS400	SOD-523	3000/Tape&Reel